

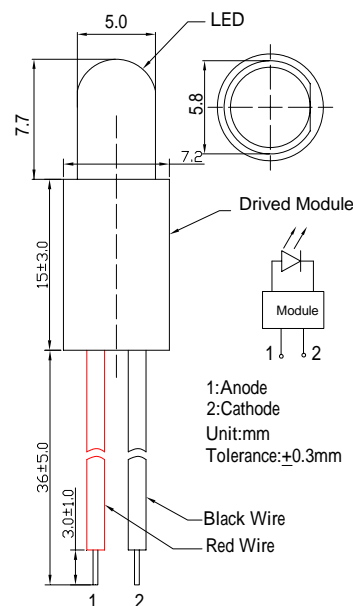
Features

- High Luminous LEDs
- 5mm Round Standard Directivity
- Superior Weather-resistance
- UV Resistant Epoxy
- Used 0.8~1.6V DC Drive (Such 1 piece AA or AAA Size Battery)
- Cost Effective (Saves Space and battery Cost)
- Water Clear Type

Applications

- Flashlight
- Other Lighting

Outline Dimension

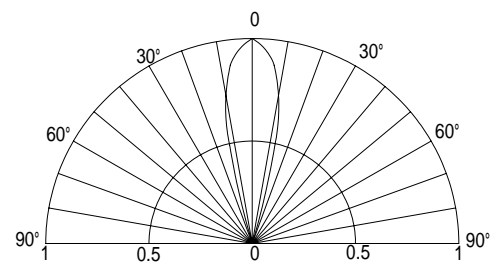


Absolute Maximum Rating

(Ta=25)

Item	Symbol	Value	Unit
DC Forward Voltage	V _F	1.5	V
Oscillator Frequency*	Fled	1.8	Hz
Duty Cycle	Duty	1/2	-
Operating Temperature	Topr	-30 ~ +85	
Storage Temperature	Tstg	-30~ +85	
Lead Soldering Temperature	Tsol	260 /5sec	-

Directivity



Electrical -Optical Characteristics (Ta=25)

Part Number	Color		I _F (mA)		I _v (mcd)*			λD(nm)*			2θ1/2(deg)
			Input	In LED	Min.	Typ.	Max.	Min.	Typ.	Max.	Typ.
			V _F =1.2V		V _F =1.2V						
OSW5DS5A31A-W1V	Cool White	W	20±5	7±2	2180	3000	-	X=0.27, Y=0.28			30
OSM5DS5A31A-W1V	Warm White	M	20±5	7±2	1800	2500	-	X=0.45, Y=0.41			
OSB5SS5A31A-W1V	Blue	B	20±5	7±2	1120	1560	-	465	470	475	
OSG5DS5A31A-W1V	Pure Green	G	20±5	7±2	2180	3000	-	520	525	530	
OSY5MS5A31A-W1V	Yellow	Y	20±5	7±2	2180	2800	-	585	590	595	
OSO5MS5A31A-W1V	Orange	O	20±5	7±2	2180	2800	-	600	605	610	
OSR5MS5A31A-W1V	Red	R	20±5	7±2	2180	2800	-	620	625	630	

*1 Tolerance of chromaticity coordinates is ±10%

*2 Tolerance of luminous intensity is ±15%

*3 Tolerance of Frequency is ±20%